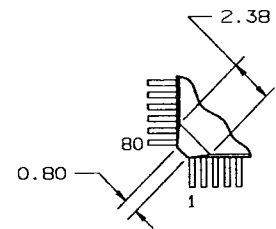
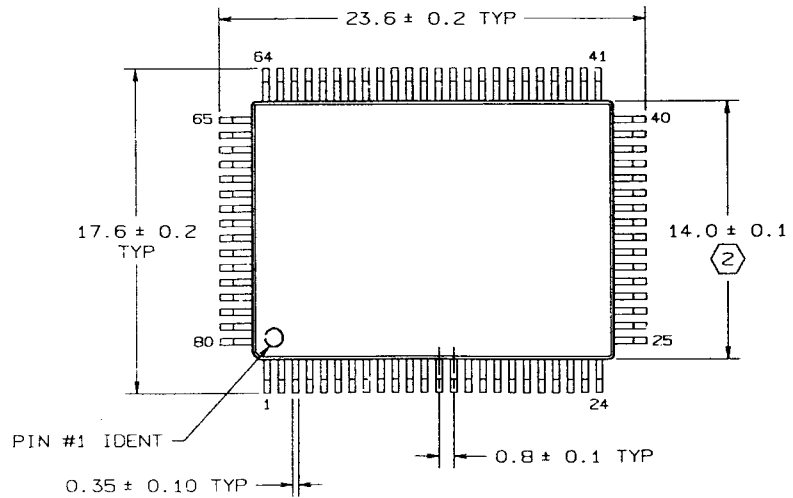
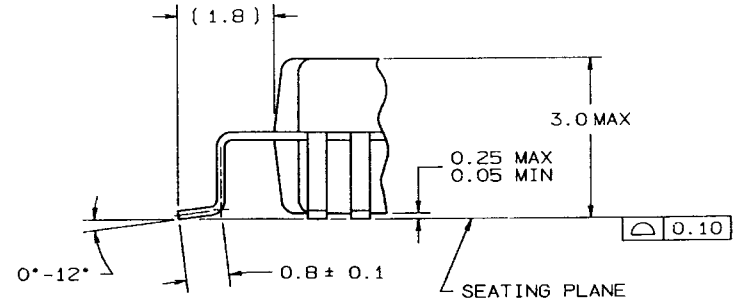
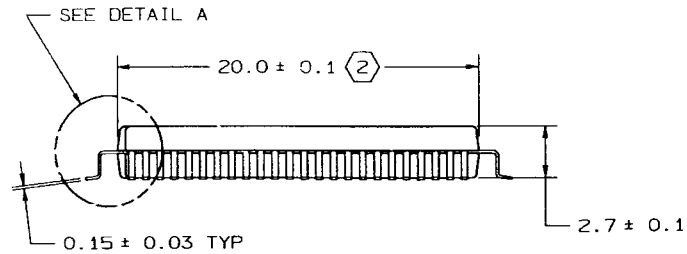


REVISIONS				
LTR	DESCRIPTION	F.C.N.	DATE	BY/APP'D
A	RELEASE TO DOCUMENT CONTROL	09436	10/16/92	DEG/HJK
B	ADD PIN 1 CORNER OPT & NOTE 4	09518	02/10/93	DEG/HJK
C	CHANGE TITLE TO PQFP; REV NOTE 3; DET A: ADD SEATING PLANE GEO TOL WAS 0.105	10052	09/23/93	KES/HJK



OPTIONAL PIN 1 CORNER
ROTATED 90°



DETAIL A
TYPICAL

DIMENSIONS ARE IN MILLIMETERS

NOTES: UNLESS OTHERWISE SPECIFIED

- STANDARD LEAD FINISH:
5.08 MICROMETERS MINIMUM SOLDER THICKNESS
ON ALLOY 42/COPPER.
- DIMENSION DOES NOT INCLUDE MOLD PROTRUSION.
MAXIMUM ALLOWABLE MOLD PROTRUSION 0.25mm PER SIDE.
- REFERENCE SEIKO EPSON GPF5-SI-80 PIN, ASAT DG2010
AND NSSG.
- THIS OPTION FROM ASAT ONLY.

APPROVALS	DATE	NATIONAL SEMICONDUCTOR CORPORATION			
DRAWN D.E. GRADY	10/16/92	2900 Semiconductor Drive, Santa Clara, CA 95052-8090			
DRG'G. CHK. Marta Suly	09/28/93	PQFP, (S), 14 X 20 X 2.7 mm, 80 LEAD			
ENGR. CHK. H.J. Kim	9/28/93				
APPROVAL		SCALE	SIZE	DRAWING NUMBER	REV
		N/A	C	MKT-VLC80B	C
PROJECTION		DO NOT SCALE DRAWING		SHEET 1 OF 1	